

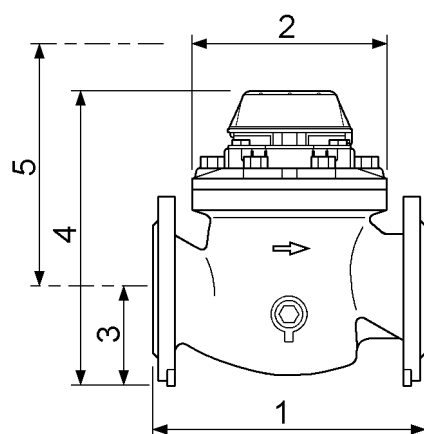
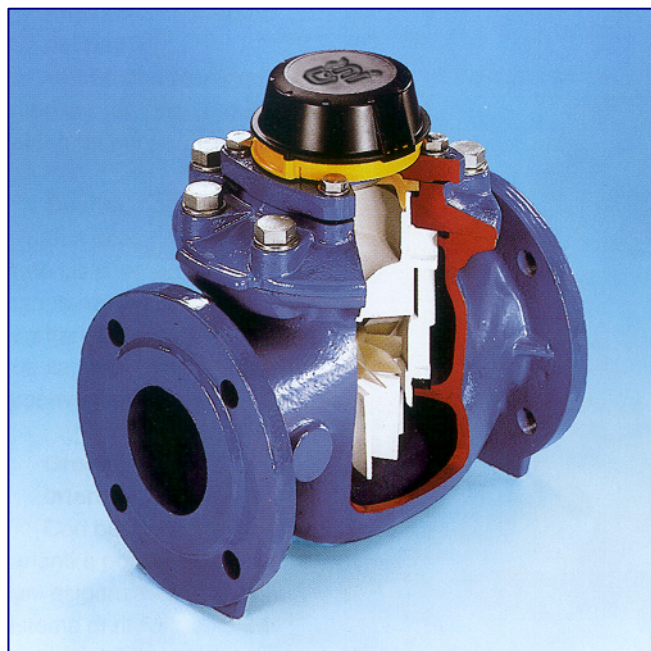
# G2 misuratori water meters



## WEF-V Woltmann water meter

- For cold water up to 50°C
- Available from DN 50 to DN 150 mm
- PN 10/16/25
- EEC homologated IN CLASS B

- Vacuum sealed register (Super Dry)
- Magnetic drive transmission
- Vertical impeller compared to the pipeline axe
- Removable measuring insert without removing the housing
- Only for horizontal installation
- Suitable for two pulse-units installation



### Hydraulic performances

	size in mm-inches				
	50-2	65-2.1/2	80-3	100-4	150-6
<i>Q<sub>n</sub>: nominal flow rate (m<sup>3</sup>/h)</i>	15	25	40	60	150
<i>Q<sub>max</sub>: maximum flow rate for short period (m<sup>3</sup>/h)</i>	35	110	110	180	350
<i>Nominal continuous flow rate (m<sup>3</sup>/h)</i>	20	55	55	90	200
<i>Q<sub>t</sub>: transitional flow rate with error ±2% (m<sup>3</sup>/h)</i>	1,5	2,5	2,5	3,5	5
<i>Q<sub>min</sub>: minimum flow rate with error ±5% (m<sup>3</sup>/h)</i>	0,18	0,27	0,27	0,35	0,8
<i>Flow capacity at 0,1 bar pressure loss (m<sup>3</sup>/h)</i>	>19	>38	>44	>67	>140
<i>Dial register from/to (m<sup>3</sup>)</i>	0,001 999.999	0,001 999.999	0,001 999.999	0,001 999.999	0,001 999.999
<i>1) Meter length (mm)</i>	270 300	300	300 350	350	500
<i>2) Maximum diameter (mm)</i>	160	240	240	240	310
<i>3) Height of tube (mm)</i>	85	102	102	116	150
<i>4) Overall height (mm)</i>	260	304	304	325	505
<i>5) Height needed to replace the measuring unit (mm)</i>	330	365	365	390	625
<i>N. holes</i>	4	4	8 / 4*	8	8
<i>Weight (kg)</i>	14,5	24,5	25,5	30	80

\* PN 10 flanges (4 holes)

Continuous development of our products may necessitate changes in details without prior notice.



**G2 misuratori S.r.l.**  
14100 ASTI (AT) – ITALY  
Via San Martino, 38

Telephone +39.0141.727749  
Telefax +39.0141.702280  
E-mail: [info@g2misuratori.it](mailto:info@g2misuratori.it)  
[Http://www.g2misuratori.it](http://www.g2misuratori.it)