

G2 misuratori water meters



Mod. PFU-R100
Mod. PFU-R160

Mod. BFU-R100
Mod. BFU-R160

UNY

- ❑ Single-jet meter, direct reading, temperature classes T30 and T50
- ❑ Mod. BFU-R100, WET DIAL, measuring range R100, for clean water
- ❑ Mod. BFU-R160, WET DIAL, measuring range R160, for clean water
- ❑ Mod. PFU-R100, LIQUID FILLED SEALED counter, measuring range R100, for turbid water
- ❑ Mod. PFU-R160, LIQUID FILLED SEALED counter, measuring range R160, for turbid water
- ❑ U0-D0: straight pipe not required upstream or downstream the meter
- ❑ All models can be customised with a **serial number and its relevant barcode indelibly engraved on the dial**
- ❑ All models are **MID approved** according to the European Directive **2004/22/CE** (module B+D) and in compliance with the norms **EN 14154/2007** and **OIML R49/2006**, reaching an **R (Q₃/Q₁) ≤ 160**
- ❑ All models are certified for use with water for human consumption, according to the **D.M. 174** of 6/4/2004
- ❑ All models, on request, can be supplied pulsed output or **preset for remote reading**

wet dial
temperature classes T30 & T50

**BFU-R100 DN 15 / 20 / 25
32 / 40**

**BFU-R160 DN 15 / 20 / 25
32 / 40**

liquid filled sealed counter type
temperature classes T30 & T50

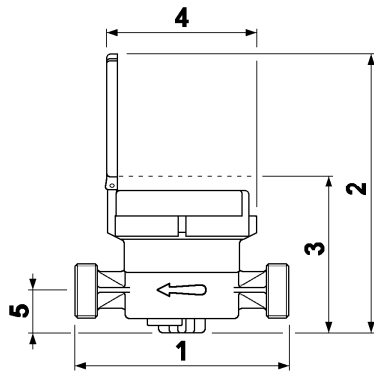
**PFU-R100 DN 15 / 20 / 25
32 / 40**

**PFU-R160 DN 15 / 20 / 25
32 / 40**

**Different R available upon
request (from R10 to R200)**

Technical data- DN in mm-inches 15-1/2 20-3/4 25-1 32-1.1/4 40-1.1/2

Technical data- DN in mm-inches	15-1/2	20-3/4	25-1	32-1.1/4	40-1.1/2
Permanent Flow Rate Q_3 (m ³ /h)	2,5	4,0	6,3	10	16
Max. flow rate for short period Q_4 (m ³ /h)	3,125	5,0	7,875	12,5	20
Transitional flow rate Q_2 at measuring range R100 [MPE $\pm 2\%$] (l/h)	40	64	100,8	100	256
Min flow rate Q_1 with measuring range R100 [MPE $\pm 5\%$] (l/h)	25	40	63	125	160
Transitional flow rate Q_2 at measuring range R160 [MPE $\pm 2\%$] (l/h)	25	40	63	100	160
Min. flow rate Q_1 with measuring range R160 [MPE $\pm 5\%$] (l/h)	15,63	25	39,38	62,5	100
Accuracy at measuring range R100 (l/h)	10	15	20	20	25
Accuracy at measuring range R160 (l/h)	5	8	8	13	18
Pressure loss class ΔP	0,63	0,63	0,63	0,63	0,63
Max allowed working pressure MAP (bar)	16	16	16	16	16
Dial register from /to (m ³)	0,0001 / 100.000	0,0001 / 100.000	0,0001 / 100.000	0,0001 / 100.000	0,0001 / 100.000
1) Length without couplings (mm)	110-115	130	160	160	200
Length with couplings (mm)	190-195	228	260	280	340
2) Height with open lid (mm)	150	150	185	185	200
3) Height with closet lid (mm)	83	83	103	103	120
4) Max diameter (mm)	80	80	100	100	110
5) Height of tube (mm)	24	24	34	34	42
Weight with couplings (kg)	0,850	1,100	1,750	2,000	3,460
Weight without couplings (kg)	0,690	0,860	1,280	1,330	2,420



The following options are available upon request:

- Models preset or fitted with single or double reed for pulse readout system
- Models preset or fitted with static sensor
- Models fitted with radio module

Continous development of our products may necessitate changes in details without prior notice - 01/10

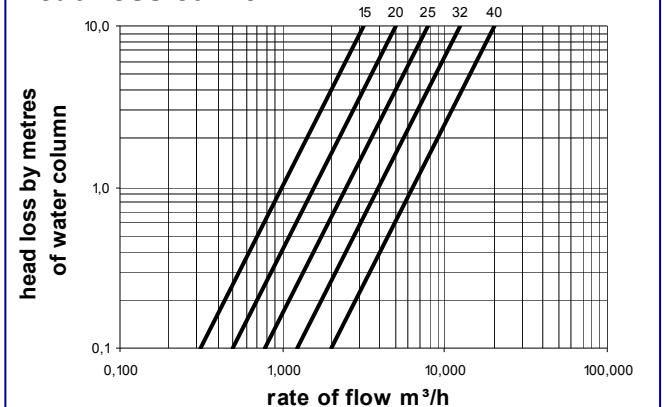


G2 misuratori S.r.l.
Via San Martino, 38 – 14100 ASTI (AT) – ITALY
Tel. +39.0141.727749 – Fax +39.0141.702280
E-mail: info@g2misuratori.it
[Http://www.g2misuratori.it](http://www.g2misuratori.it)

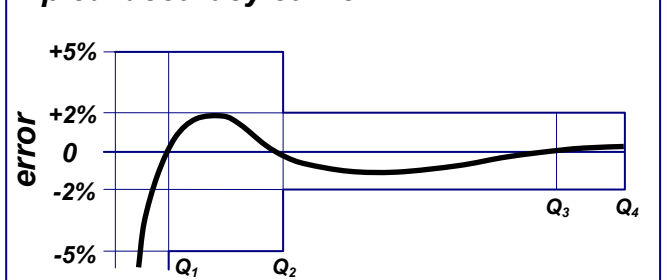
water
meters

Filiale Centro-Sud
Via Fontanelle, 3 – 00020 RIOFREDDO (RM) – ITALY
Tel. e Fax +39.0774.920216
E-mail: centrosud@g2misuratori.it

Head loss curve



Typical accuracy curve



COMPANY WITH QUALITY MANAGEMENT
SYSTEM CERTIFIED BY DNV

= ISO 9001:2008 =

CERT-03154-98-AQ-TRI-SINCERT
Design and manufacture of water meters



ASSOCIAZIONE COSTRUTTORI ITALIANI STRUMENTI DI MISURA