

G2 misuratori water meters



PFMB MODEL
PFMC MODEL

BFMB MODEL
BFMC MODEL

MULTI

- ❑ Multi-jet water meter, direct reading
- ❑ BFMB model, with SUBMERGED dial, for cold water up to 30°C, class B
- ❑ BFMC model, with SUBMERGED dial, for cold water up to 30°C, class C
- ❑ PFMB model, with LIQUID-FILLED SEALED counter, for cold water water up to 30°C, class B
- ❑ PFMC model, with LIQUID-FILLED SEALED counter, for cold water water up to 30°C, class C
- ❑ For clear waters (BFM model); for turbid or muddy waters (PFM model)
- ❑ All models are available with non return valve on request
- ❑ Hydraulic performances of all models according to the requirements of EEC directive n. 75/33; on request can be sealed with EEC official mark
- ❑ BFM model dn. 1/2" high pressure (40 bar) is available on request
- ❑ All models **only pre-arranged** or equipped with an impulse-emitting device are available on request

MULTY

wet dial model for cold water up to 30°C

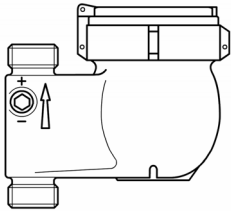
**BFMB – 13 / 20 / 25
30 / 40 / 50**

**BFMC – 13 / 20 / 25
30 / 40 / 50**

liquid-filled sealed counter model for cold water up to 30°C

**PFMB – 13 / 20 / 25
30 / 40 / 50**

**PFMC – 13 / 20 / 25
30 / 40 / 50**

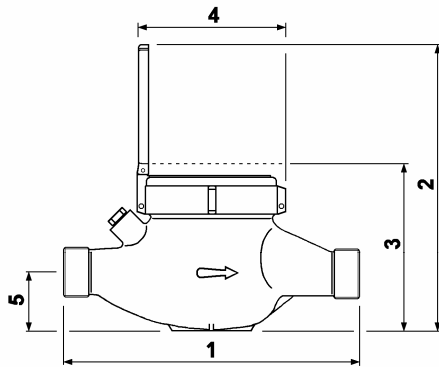


Vertical version available on request

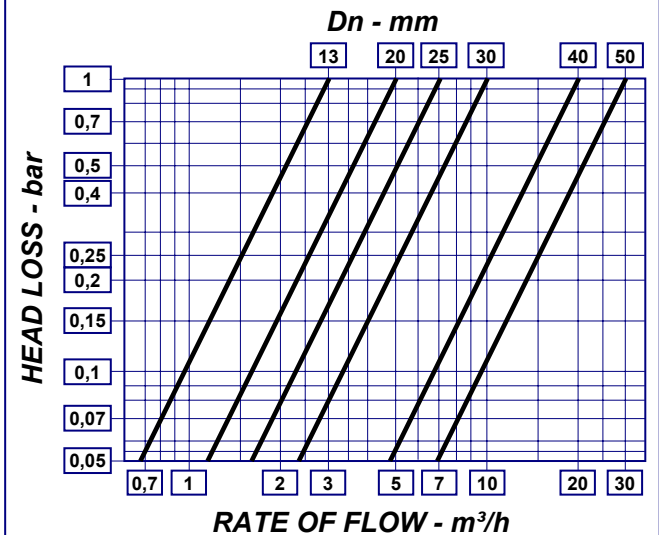
Hydraulic performances and overall dimensions

mm-inches

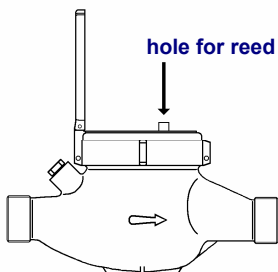
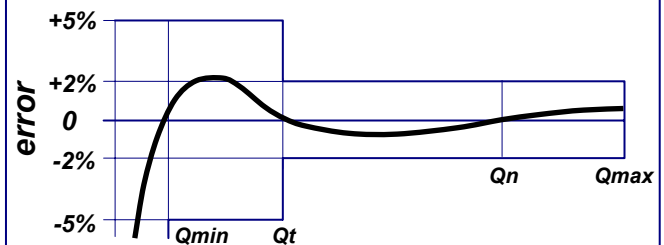
	13-1/2	20-3/4	25-1	30-1.1/4	40-1.1/2	50-2
Q _{max} : maximum flow rate for short period (m ³ /h)	3	5	7	10	20	30
Q _n : nominal flow rate (m ³ /h)	1,5	2,5	3,5	5	10	15
Q _t : transitional flow rate with error ±2% in class B (l/h)	120	200	280	400	800	3000
Q _{min} : minimum flow rate with error ±5% in class B (l/h)	30	50	70	100	200	450
Q _t : transitional flow rate with error ±2% in class C (l/h)	22,5	37,5	52,5	75	150	225
Q _{min} : minimum flow rate with error ±5% in class C (l/h)	15	25	35	50	100	90
Starting flow in class B (l/h)	10	10	19	19	40	40
Starting flow in class C (l/h)	6	6	10	10	15	20
Maximum working pressure (bar)	16	16	16	16	16	16
Dial register from/to (m ³)	0,0001 100.000	0,0001 100.000	0,0001 100.000	0,0001 100.000	0,0001 100.000 / 1.000.000	
1) Length without couplings (mm)	110-130-145 160-165-170 190	160-170 190	220-260	220-260	300	300
Length with couplings (mm)	190-210-225 240-245-250 270	260-270 290	320-360	320-360	440	460
2) Height with open lid (mm)	185	185	200	200	210	220
3) Height with closed lid (mm)	105	105	120	120	130	140
4) Maximum diameter (mm)	96	96	100	100	136	136
5) Height of tube (mm)	35	35	40	40	60	70
Weight with couplings (kg)	1,650	1,800	3,200	3,500	6,100	9,700
Weight without couplings (kg)	1,500	1,550	2,750	2,800	5,100	7,400



Head loss curve



Typical accuracy curve



hole for reed switch housing

**BFMBP and PFMBP models
BFMCP and PFMCP models
pre-arranged for remote
reading available on request**

Continuous development of our products may necessitate changes in details without prior notice.



G2 misuratori s.r.l.
14100 ASTI (AT) – ITALY
Via San Martino, 38

Telephone +39.0141.727749-Telefax +39.0141.702280
E-mail: info@g2misuratori.it – Http://www.g2misuratori.it