

MULTY



wet dial model
temperature classes T30 & T50

**BFM-R80 DN 15 / 20 / 25
32 / 40 / 50**

**BFM-R160 DN 15 / 20 / 25
32 / 40 / 50**

liquid-filled sealed counter
model

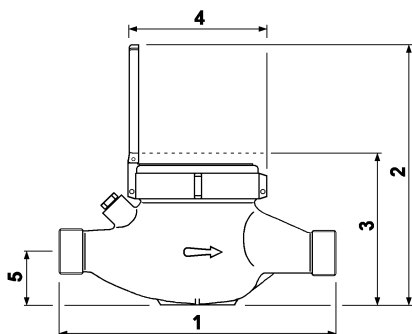
temperature classes T30 & T50

**PFM-R80 DN 15 / 20 / 25
32 / 40 / 50**

**PFM-R160 DN 15 / 20 / 25
32 / 40 / 50**

Different R available upon
request (from R10 to R250)

Technical data- DN in mm-inches	15-1/2	20-3/4	25-1	32-1.1/4	40-1.1/2	50-2
Permanent Flow Rate Q_3 (m ³ /h)	2,5	4,0	6,3	10	16	25
Max. flow rate for short period Q_4 (m ³ /h)	3,125	5,0	7,875	12,5	20	31,250
Transitional flow rate Q_2 at measuring range R100 [MPE $\pm 2\%$] (l/h)	40	64	100,8	160	256	400
Min flow rate Q_1 with measuring range R100 [MPE $\pm 5\%$] (l/h)	25	40	63	100	160	250
Transitional flow rate Q_2 at measuring range R160 [MPE $\pm 2\%$] (l/h)	25	40	63	100	160	250
Min. flow rate Q_1 with measuring range R160 [MPE $\pm 5\%$] (l/h)	15,63	25	39,38	62,5	100	156,25
Accuracy at measuring range R100 (l/h)	8	10	19	19	40	40
Accuracy at measuring range R160 (l/h)	4	6	10	10	15	20
Pressure loss class ΔP	0,63	0,63	0,63	0,63	0,63	0,63
Max allowed working pressure MAP (bar)	16	16	16	16	16	16
Dial register from /to (m ³)	0,0001 / 100,000	0,0001 / 100,000	0,0001 / 100,000	0,0001 / 100,000	0,0001 / 100,000	0,0001 / 100,000
1) Length without couplings (mm)	110-115-130 145-165-170 190	160-165 190	220-260	220-260	300	300
Length with couplings (mm)	190-195-210 225-245-250 270	260-265 290	320-360	320-360	440	460
2) Height with open lid (mm)	185	185	200	200	210	220
3) Height with closet lid (mm)	105	105	120	120	130	140
4) Max. diameter (mm)	96	96	100	100	136	136
5) Height of tube (mm)	35	35	40	40	60	70
Weight with couplings (kg)	1,650	1,800	3,200	3,500	6,100	9,700
Weight without couplings (kg)	1,500	1,550	2,750	2,800	5,100	7,400



The following options are available upon request:

- Mod. BFM DN 15 high pressure version (40 bar)
- Non- return valve fitted on the outlet nipple
- Vertical riser body for vertical installation
- Models preset or fitted with single or double reed for pulse readout system
- Models preset or fitted with static sensor
- Models fitted with radio module

Continous development of our products may necessitate changes in details without prior notice - 01/10

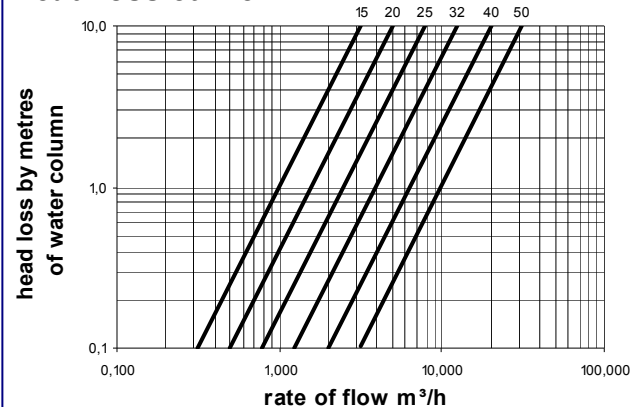


G2 misuratori S.r.l.
Via San Martino, 38 – 14100 ASTI (AT) – ITALY
Tel. +39.0141.727749 – Fax +39.0141.702280
E-mail: info@g2misuratori.it
[Http://www.g2misuratori.it](http://www.g2misuratori.it)

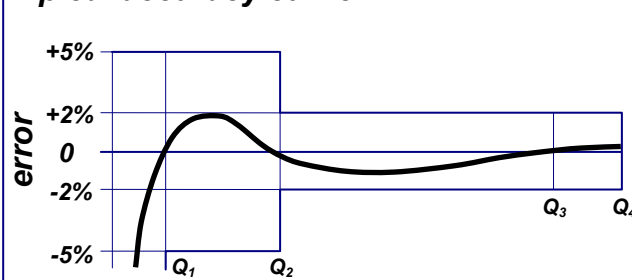
Filiale Centro-Sud
Via Fontanelle, 3 – 00020 RIOFREDDO (RM) – ITALY
Tel. e Fax +39.0774.920216
E-mail: centrosud@g2misuratori.it

water
meters

Head loss curve



Typical accuracy curve



COMPANY WITH QUALITY MANAGEMENT
SYSTEM CERTIFIED BY DNV
= ISO 9001:2008 =
CERT-03154-98-AQ-TRI-SINCERT
Design and manufacture of water meters

