

G2 misuratori water meters



Mod. AFU-R80
DN 25 – 32 – 40

Mod. SFU-R80 / SCU-R80
DN 15 - 20

UNY

- ❑ Single-jet meter, direct reading
- ❑ DRY dial for turbid and greatly calcareous waters (mod.SFU/SCU are fitted with 360° rotating dial for easy reading, and on request, available with or without lid, with or without glass wiping)
- ❑ Mod. SFU-R80, DN 15 – 20, temperature classes T30 and T50, measuring range R80
- ❑ Mod. SCU-R80, DN 15 – 20, temperature classes T70 and T90, measuring range R80
- ❑ Mod. AFU-R80, DN 25 – 32 – 40, temperature classes T30 and T50, measuring range R80
- ❑ U0-D0: straight pipe not required upstream or downstream the meter
- ❑ All models can be customised with a **serial number and its relevant barcode indelibly engraved on the dial**
- ❑ All models are **MID** approved according to the European Directive **2004/22/CE** (module B+D) and in compliance with the norms **EN 14154/2007** and **OIML R49/2006**, reaching an **R (Q₃/Q₁) ≤ 80**
- ❑ All models are certified for use with water for human consumption, according to the **D.M. 174** of 6/4/2004
- ❑ All models, on request, can be supplied pulsed output or **preset for remote reading**

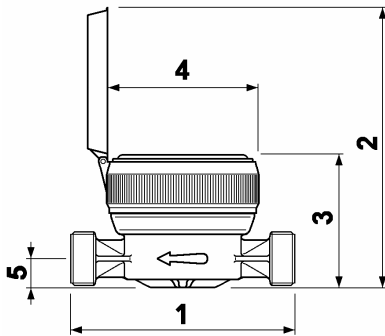
dry dial
temperature classes T30 & T50
SFU-R80 DN 15 / 20

AFU-R80 DN 25 / 32 / 40

dry dial
temperature classes T70 & T90
SCU-R80 DN 15 / 20

Different R available upon
request (from R10 to R80)

Technical data- DN in mm-inches	15-1/2	20-3/4	25-1	32-1.1/4	40-1.1/2
Permanent Flow Rate Q_3 (m ³ /h)	2,5	4,0	6,3	10	16
Max. flow rate for short period Q_4 (m ³ /h)	3,125	5,0	7,875	12,5	20
Transitional flow rate Q_2 at measuring range R80 [MPE $\pm 2\%$]	50	80	126	200	320
Min flow rate Q_1 with measuring range R80 [MPE $\pm 5\%$] (l/h)	31,25	50	78,75	125	200
Accuracy at measuring range R80 (l/h)	7	15	20	20	25
Pressure loss class ΔP	0,63	0,63	0,63	0,63	0,63
Max allowed working pressure MAP (bar)	16	16	16	16	16
Dial register from /to (m ³)	0,0001 / 100.000	0,0001 / 100.000	0,0001 / 100.000	0,0001 / 100.000	0,0001 / 100.000
1) Length without couplings (mm)	110-80 115-170	130	160	160	200
Length with couplings (mm)	190-160 195-250	228	260	280	340
2) Height with open lid (mm)	138	143	185	185	195
3) Height with closet lid (mm)	70	74	128	128	142
4) Max. diameter (mm)	72	72	100	100	110
5) Height of tube (mm)	16	19	34	34	42
Weight with couplings (kg)	0,660	0,840	1,850	2,150	3,540
Weight without couplings (mm)	0,500	0,600	1,380	1,440	2,500



The following options are available upon request:

- Mod. SFU 8 digit rolls (5 black and 3 red digits respectively for cubic meters and for litres)
- Mod. SFU with systems that compensates the water increase when frosting
- Models preset or fitted with single or double reed for pulse readout system
- Models preset or fitted with static sensor
- Models fitted with radio module

Continous development of our products may necessitate changes in details without prior notice - 01/10

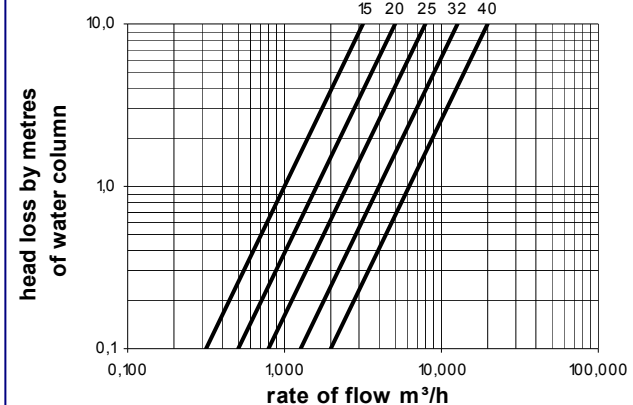


G2 misuratori S.r.l.
Via San Martino, 38 – 14100 ASTI (AT) – ITALY
Tel. +39.0141.727749 – Fax +39.0141.702280
E-mail: info@g2misuratori.it
[Http://www.g2misuratori.it](http://www.g2misuratori.it)

water
meters

Filiale Centro-Sud
Via Fontanelle, 3 – 00020 RIOFREDDO (RM) – ITALY
Tel. e Fax +39.0774.920216
E-mail: centrosud@g2misuratori.it

Head loss curve



Typical accuracy curve

