

# G2 misuratori water meters



**AFM / ACM MODEL**  
dn. 1/2" - 3/4" - 1" - 1.1/4" - 1.1/2" - 2"



MULTI

- Multi-jet water meter, direct reading
- AFM model, with DRY dial, for cold water up to 30°C
- ACM model, with DRY dial, for hot water up to 90°C
- For hard, scaling, turbid or muddy waters
- All models are available with non return valve on request
- Hydraulic performances of all models according to the requirements of **class B** of EEC directive n. 75/33; on request can be sealed with EEC official mark
- All models **only pre-arranged** or equipped with an impulse-emitting device are available on request

# MULTY

**dry dial model for cold water up to 30°C**

- AFM – 13 mm. – 1/2"**
- AFM – 20 mm. – 3/4"**
- AFM – 25 mm. – 1"**
- AFM – 30 mm. – 1.1/4"**
- AFM – 40 mm. – 1.1/2"**
- AFM – 50 mm. – 2"**

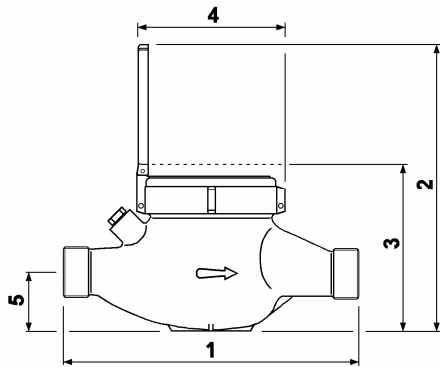
**dry dial model for hot water up to 90°C**

- ACM – 13 mm. – 1/2"**
- ACM – 20 mm. – 3/4"**
- ACM – 25 mm. – 1"**
- ACM – 30 mm. – 1.1/4"**
- ACM – 40 mm. – 1.1/2"**
- ACM – 50 mm. – 2"**

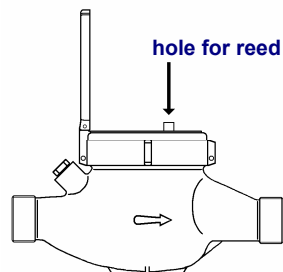
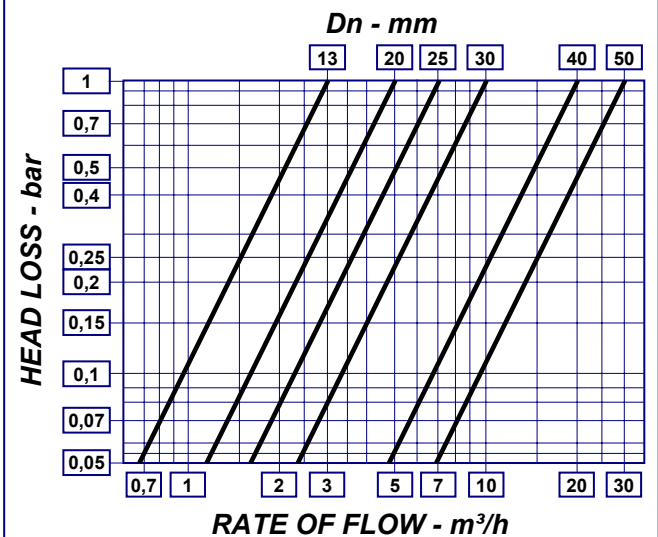
**Hydraulic performances and overall dimensions**

mm-inches

	13-1/2	20-3/4	25-1	30-1.1/4	40-1.1/2	50-2
Q <sub>max</sub> : maximum flow rate for short period (m <sup>3</sup> /h)	3	5	7	10	20	30
Q <sub>n</sub> : nominal flow rate (m <sup>3</sup> /h)	1,5	2,5	3,5	5	10	15
Q <sub>t</sub> : transitional flow rate with error ±2% in class B (l/h)	120	200	280	400	800	3000
Q <sub>min</sub> : minimum flow rate with error ±5% in class B (l/h)	30	50	70	100	200	450
Starting flow (l/h)	10	12	22	22	50	60
Maximum working pressure (bar)	16	16	16	16	16	16
Dial register from/to (m <sup>3</sup> )	0,0001 100.000	0,0001 100.000	0,0001 100.000	0,0001 100.000	0,0001 100.000	0,0001 100.000
1) Length without couplings (mm)	110-130-145 160-165-170 190	160-170 190	220-260	220-260	300	300
Length with couplings (mm)	190-210-225 240-245-250 270	260-270 290	320-360	320-360	440	460
2) Height with open lid (mm)	185	185	200	200	210	220
3) Height with closed lid (mm)	105	105	120	120	130	140
4) Maximum diameter (mm)	96	96	100	100	136	136
5) Height of tube (mm)	35	35	40	40	60	70
Weight with couplings (kg)	1,650	1,800	3,200	3,500	6,100	9,700
Weight without couplings (kg)	1,500	1,550	2,750	2,800	5,100	7,400



**Head loss curve**



**AFMP and ACMP models pre-arranged for remote reading available on request**

Continuous development of our products may necessitate changes in details without prior notice.



**G2 misuratori s.r.l.**  
14100 ASTI (AT) – ITALY  
Via San Martino, 38

Telephone +39.0141.727749-Telefax +39.0141.702280  
E-mail: info@g2misuratori.it – Http://www.g2misuratori.it

**Typical accuracy curve**

