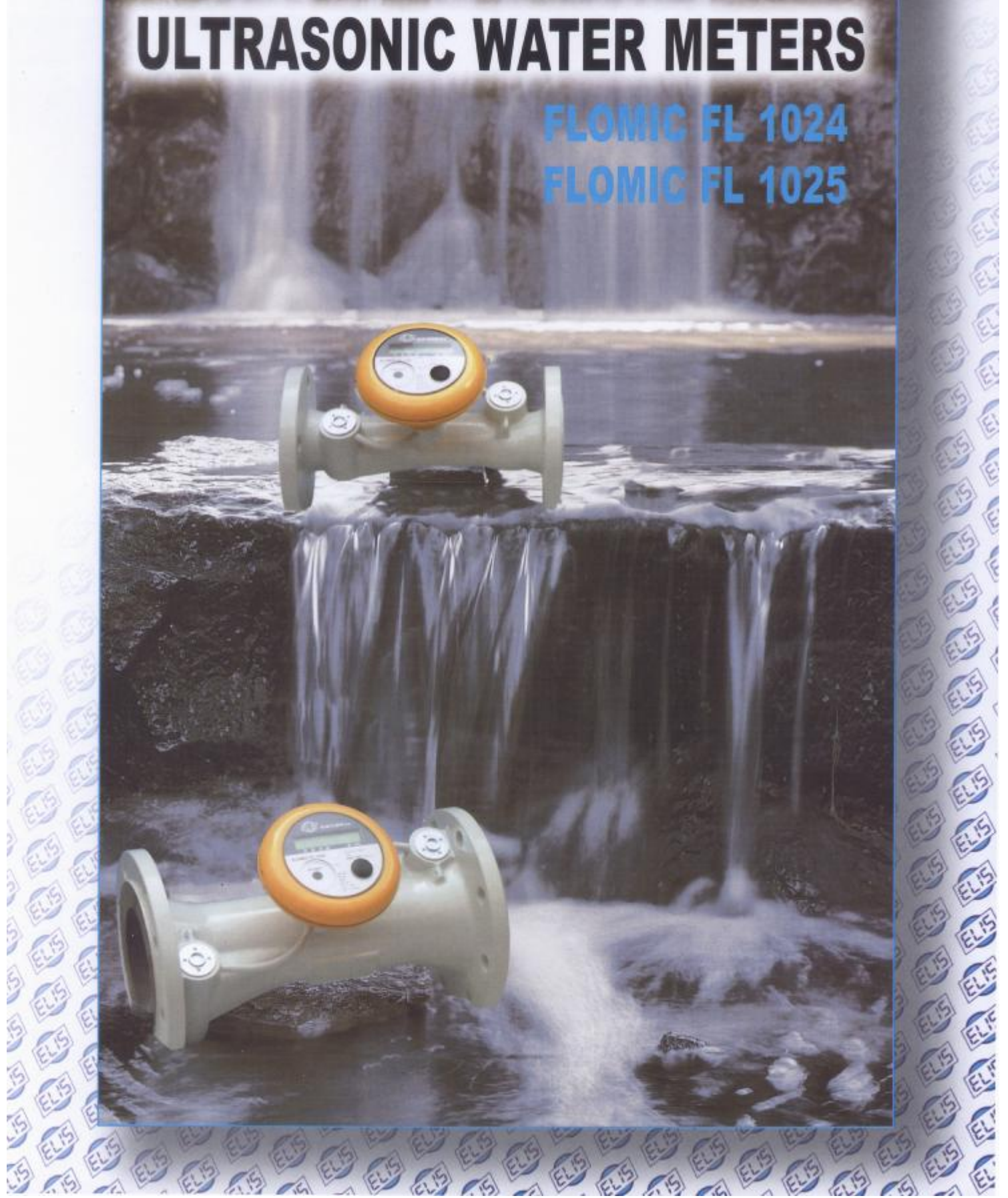




# ULTRASONIC WATER METERS

FLOMIC FL 1024

FLOMIC FL 1025



# FLOMIC FL 102X

Battery-powered ultrasonic water meters of the type series FLOMIC FL 102X (FL 1024 – compact version, FL 1025 – remote version) are intended for industrial and commercial applications in water supply systems where they provide for measurement and data storage on instantaneous flow rates and aggregate water consumption. The meters utilise the principle of different propagation speeds of ultrasonic waves if directed with and against the direction of water flow. Ultrasonic flow meters are noted for high accuracy and long-term parameter stability over a wide range of measured flow values. The FLOMIC water meters do not need any external power source, have no moving parts and, compared to conventional meters, have significantly lower hydraulic losses.

The electronic accessories of the flow meters make possible measurement and display of instantaneous flow rate in the meter piping and of the total volume of the water passed through the meter since it was reset last time; the flow data measured at pre-set intervals can also be stored and communicated via optical interface to a portable PSION where they can be retrieved. The FLOMIC water meters also include impulse and current (4 to 20 mA) outputs and the M-BUS communication interface.

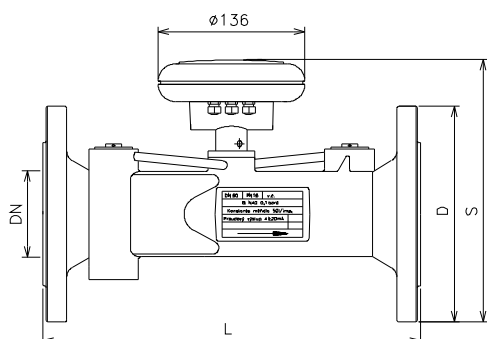
## TECHNICAL SPECIFICATIONS

Nominal diameter DN	32	40	50	65	80	100	125	150	200
Overload flow rate $q_s$ [m <sup>3</sup> /h]	12	20	30	50	80	120	200	300	360
Nominal flow rate $q_p$ [m <sup>3</sup> /h]	6	10	15	25	40	60	100	150	250
Transitional flow rate $q_t$ [m <sup>3</sup> /h]	0,48	0,8	3	5	8	12	20	30	50
Minimum flow rate $q_{min}$ [m <sup>3</sup> /h]	0,12	0,2	0,45	0,75	1,2	1,8	3	4,5	7,5
Impulse output constant $k_i$ [l/imp]	10	25	25	50	50	100	100	100	100
Nominal pressure PN	16								
Precision class	B according to ČSN ISO 4064-1								
Temperature of measured fluid	0 ÷ 50 °C								
Ambient temperature	0 ÷ 50 °C								
Display unit	Single-line 8-digit LC display								
Power source	Li-battery 3.6 V/16 Ah – life time 6 to 8 years								
Protection class	IP 67								
Pressure loss	Less than 0.1 bar at $q_p$								
Outputs	Passive impulse $U = 5 \div 30$ V, $I_{max} = 1$ mA								
Optional accessories	Passive current output 4 ÷ 20 mA, $U_{max} = 24$ V								
	Communication interface M-BUS								
	Storage of measured data								
	Optical interface according to EN 60870								
	Remote version of the meter								
	Flow sensor in IP 68 design for the remote version of the meter								
	Meter version for drinking water								

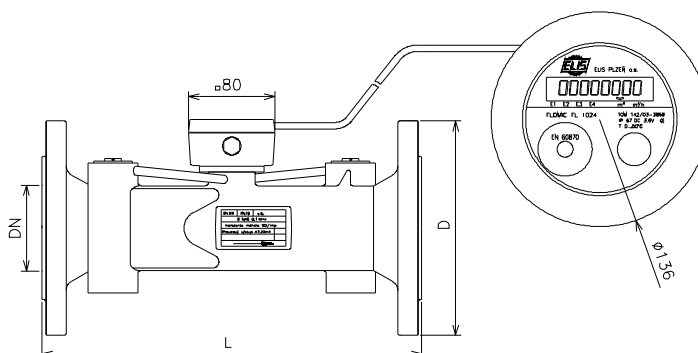
## BASIC DIMENSIONS

DN	32	40	50	65	80	100	125	150	200
L [mm]	260	300	300	300	350	350	350	350	350
s [mm]	190	198	208	225	237	253	280	307	352
D [mm]	140	150	165	185	200	220	250	285	340
Weight [kg]	4,5	7	10	11	15	17,5	22,5	26	36,5

**FL 1024**



**FL 1025**



Es 90 220 K / 2005