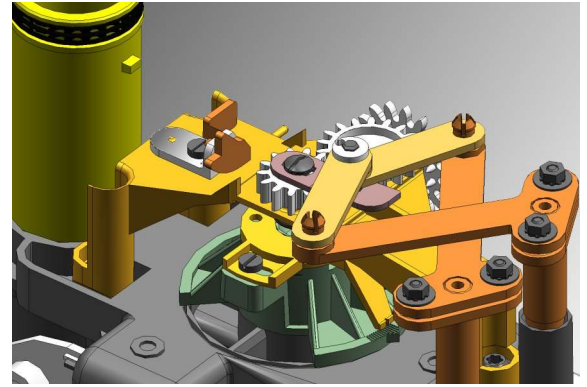


Residential Gas Meter G1,6

Exact measurement and security



Overview

The gas meter 1G1,6L is designed for measurement of gas supplied to apartments where maximum consumption of gas is equivalent to 2,5 m³/h of air of density of 1,2 kg/m³.

The gas meters can be used for measurement of:

- Natural gas
- City gas
- Propane-butane gas

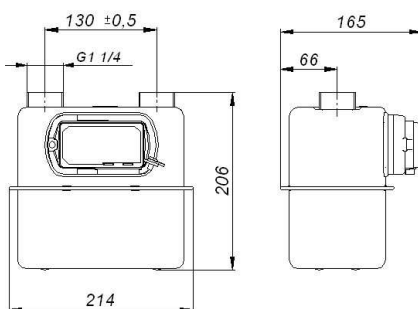
Gas meter is equipped with pulse magnet as standard. Pulse transmitter can be added at any time (1 imp = 0,01 m³).



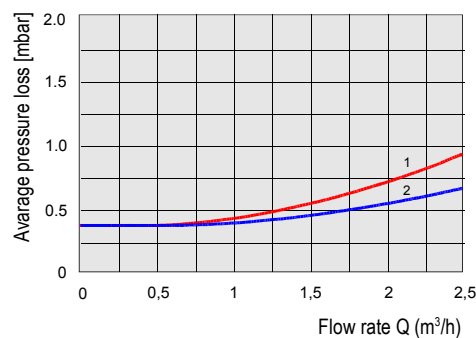
Technical Data

Maximum flow rate:	Q _{max} = 2,5 m ³ /h
Minimum flow rate:	Q _{min} = 0,016 m ³ /h
Nominal flow rate:	Q _n = 1,6 m ³ /h
Cyclic volume:	V = 0,8 dm ³
Max. working pressure:	P _{max} = 0,5 bar
Index max indication	99999,999 m ³
Starting flow rate:	3 dm ³ /h
Weight:	2 kg
Fireproof up to 650°C according to EN1359	up to 0,1 bar

Dimensions

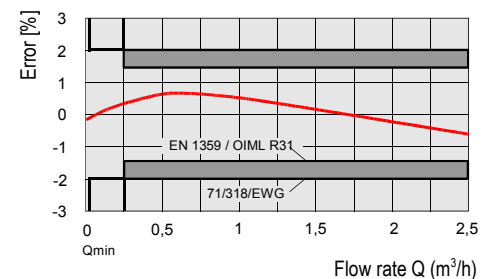


Pressure loss curves



- 1 – air
2 – natural gas

Typical error curves



METRIX SA • Piaskowa 3 • 83-110 Tczew, Poland
tel. +48-58-53 09 318 • fax. +48-58-53 09 204
<http://www.metrix.pl> • e-mail: export@metrix.pl

metrix