

GAS PAYMENT SYSTEMS

Landis+Gyr Domestic

E6V TECHNICAL DATA

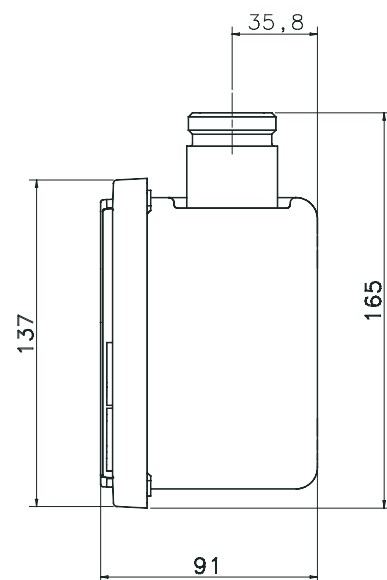
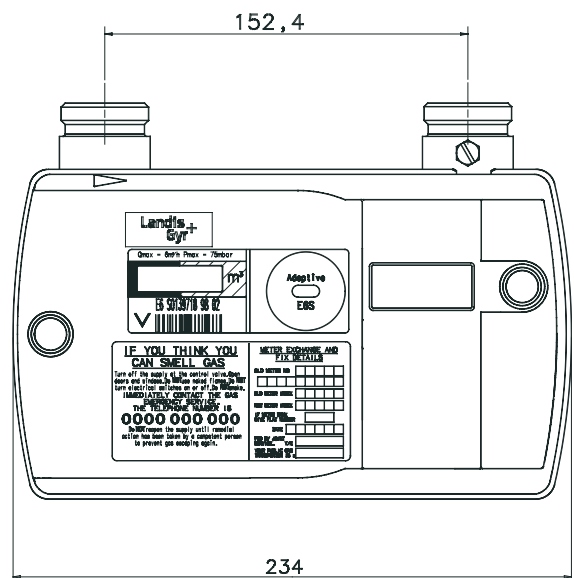
The Landis+Gyr E6V is designed for domestic gas metering where an internal shut off valve and optical communications port are required. The meter accommodates add-on modules to provide functionality such as prepayment. As a stand alone device, it operates as an accurate and stable credit meter with optical data interface.



Applicable standards	BS EN 1359:1999, ENV14236
Max operating pressure	75mB
Maximum flow rate (Qmax)	6.00m ³ / Hr.
Minimum flow rate (Qmin)	0.04m ³ / Hr.
Pressure drop (at Qmax)	< 2mB
Starting flow rate	0.01m ³ / Hr.
Accuracy	Better than ± 2% (.08m ³ - 6m ³ / Hr.)
Gas type	Natural gas (Consisting mainly of Methane) NOT LPG
Temperature compensated index	Available
Index display	LCD, 8 digit, 0.001m ³ resolution
Storage Temperature	-20°C to + 60°C
Operating Temperature	-10°C to + 40°C
Water / Moisture resistance	IP55
Shock & Vibration (Transit)	BS EN 1359:1999
Weight	2.7 Kg
Case construction	Deep drawn coated mild steel to BS EN 1359:1999
Gas connections	1" BSP to BS746
Measurement technology	Ultrasonic
Shut off valve	Internal, electrically operated
Battery type	Lithium thionyl chloride 3.6v "D" size
Battery life	> 10 Years normal operation
OFGEM approved	Yes
Reverse flow detection	Yes, Reverse flow accumulated in separate register.
Optical port spec.	EN 61107 Mode C (300 /4800 Baud)
Tamper detection	Status flags on display and via opto port

E6V Meter Dimensions

All dimensions in mm



Landis+Gyr Ltd
Hortonwood 30
Telford
Shropshire
TF1 7YG
phone: +44 (0) 1952 677 661
fax: +44 (0) 1952 677 591

www.landisgyr.com

Landis
|
Gyr+