

# GAS PAYMENT SYSTEMS

Landis+Gyr Domestic

## LIBRA 200 TECHNICAL DATA

Designed for use with a compatible base meter, such as the Landis+Gyr E6V, the Libra 200 module provides Quantum system pre-payment functionality. When fitted to a meter the module will account for gas consumption on a block tariff, recover debt and provide controlled emergency credit. Fully compatible with the established UK Quantum system infrastructure.



**Card Type**

Smart card to ISO 7816

**Display**

2 line x 16 character dot matrix with backlight

**Battery type**

Lithium thionyl chloride 3.6v "D" size

**Battery life**

>8 Years normal operation

**Shock + Vibration (Transit)**

BS EN 1359:1999

**Operating Temperature**

-10°C to + 40°C

**Water resistance**

IP42

**Humidity**

95% RH (Non Condensing)

**ESD**

BS EN61000-4-2:1995 Level 3

**RF susceptibility**

IEC 1000-4-3: 1995 Level 3

**RF emissions**

BS EN 55022:1998

**Flammability (Exc. Window)**

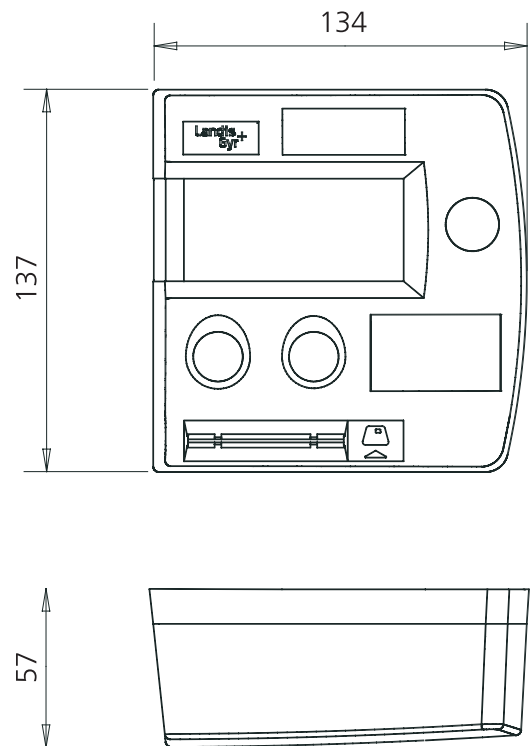
UL94 V0

**Weight**

453g

**Libra 200 Module Dimensions**

All dimensions in mm



Landis+Gyr Ltd  
Hortonwood 30  
Telford  
Shropshire  
TF1 7YG  
phone: +44 (0) 1952 677 661  
fax: +44 (0) 1952 677 591

[www.landisgyr.com](http://www.landisgyr.com)

Landis  
| Gyr+